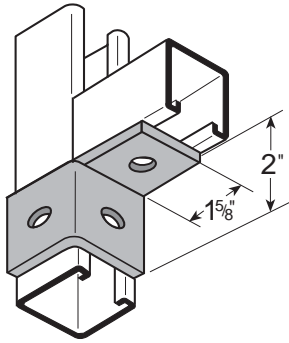
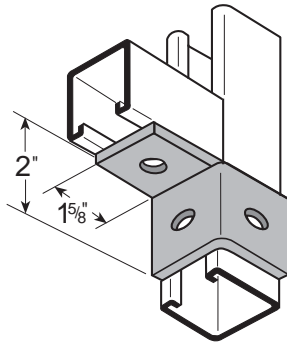


54#/Cpc



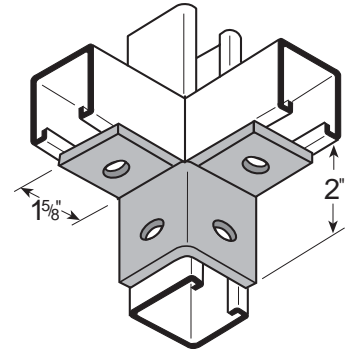
FS-5510
THREE-HOLE CORNER
CONNECTION (RIGHT-HAND)

54#/Cpc



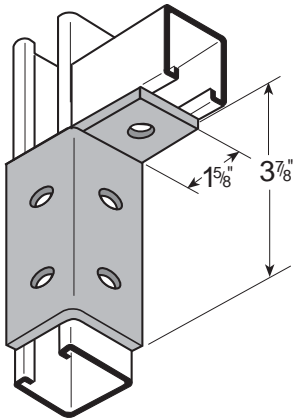
FS-5511
THREE-HOLE CORNER
CONNECTION (LEFT-HAND)

78#/Cpc



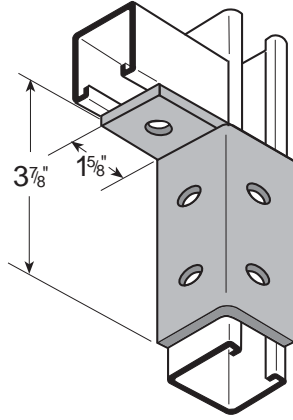
FS-5512
FOUR-HOLE 2-WAY
CORNER CONNECTION

100#/Cpc



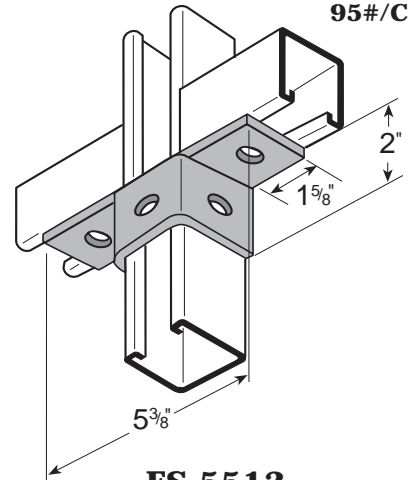
FS-5516
FIVE-HOLE CORNER
CONNECTION (RIGHT-HAND)

100#/Cpc



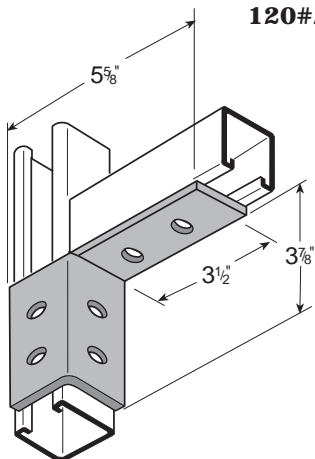
FS-5517
FIVE-HOLE CORNER
CONNECTION (LEFT-HAND)

95#/Cpc



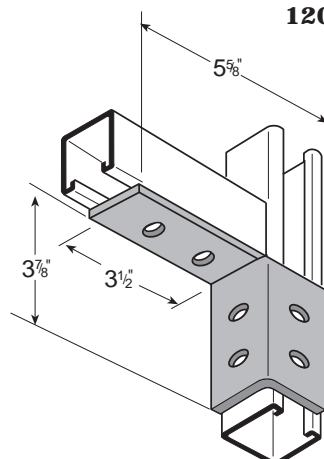
FS-5513
FIVE-HOLE 2-WAY
WING CONNECTION

120#/Cpc



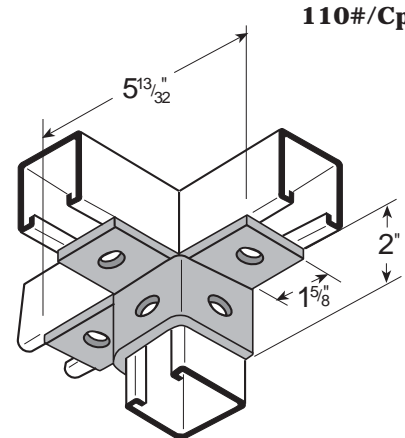
FS-5521
SIX-HOLE CORNER
CONNECTION (RIGHT-HAND)

120#/Cpc



FS-5522
SIX-HOLE CORNER
CONNECTION (LEFT-HAND)

110#/Cpc



FS-5514
SIX-HOLE 3-WAY
WING CONNECTION

Thickness = 1/4" • Width = 1 5/8" • Hole Diameter = 9/16" • Hole Spacing = 1 7/8" • Edge Distance = 13/16"