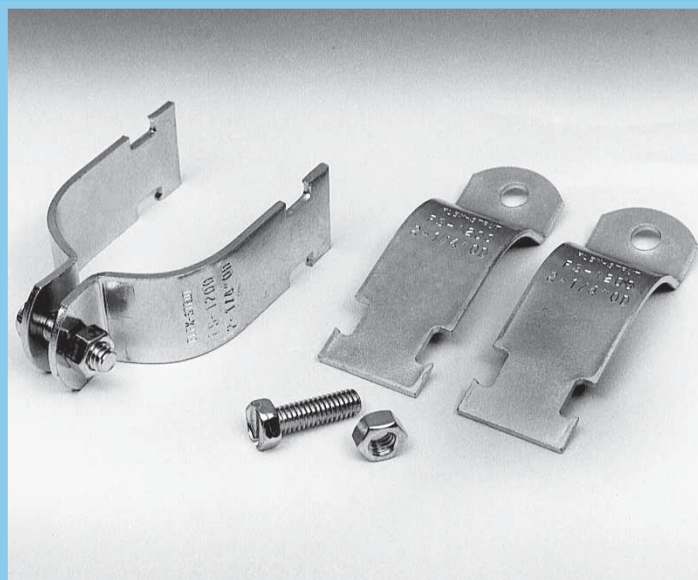
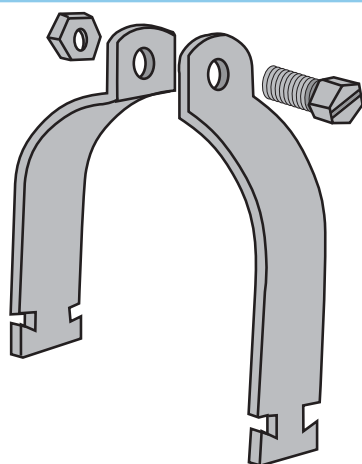


PIPE CLAMPS



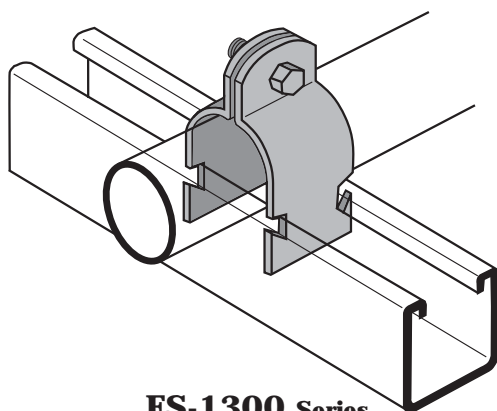
FS-1000 Series THINWALL CONDUIT CLAMPS (E.M.T.)

Part No.	Nominal Size	#/Cpc	Gauge	Allowable Load	Slotted Indented Hex Cap Screw
FS-1000-3/8	3/8"	9#	16	400#	1/4" x 3/4"
FS-1000-1/2	1/2"	11#	16	400#	1/4" x 3/4"
FS-1000-3/4	3/4"	12#	16	400#	1/4" x 3/4"
FS-1000-1	1"	15#	14	600#	1/4" x 3/4"
FS-1000-1-1/4	1-1/4"	15#	14	600#	1/4" x 3/4"
FS-1000-1-1/2	1-1/2"	29#	12	800#	5/16" x 1"
FS-1000-2	2"	33#	12	800#	5/16" x 1"



FS-1100 Series RIGID CONDUIT CLAMPS (PIPE)

Part No.	Nominal Size	#/Cpc	Gauge	Allowable Load	Slotted Indented Hex Cap Screw
FS-1100-3/8	3/8"	10#	16	400#	1/4" x 3/4"
FS-1100-1/2	1/2"	11#	16	400#	1/4" x 3/4"
FS-1100-3/4	3/4"	12#	16	400#	1/4" x 3/4"
FS-1100-1	1"	15#	14	600#	1/4" x 3/4"
FS-1100-1-1/4	1-1/4"	19#	14	600#	1/4" x 3/4"
FS-1100-1-1/2	1-1/2"	29#	12	800#	5/16" x 1"
FS-1100-2	2"	34#	12	800#	5/16" x 1"
FS-1100-2-1/2	2-1/2"	40#	12	800#	5/16" x 1"
FS-1100-3	3"	47#	12	800#	5/16" x 1"
FS-1100-3-1/2	3-1/2"	62#	11	1000#	3/8" x 1-1/4"
FS-1100-4	4"	67#	11	1000#	3/8" x 1-1/4"
FS-1100-5	5"	80#	11	1000#	3/8" x 1-1/4"
FS-1100-6	6"	102#	10	1000#	3/8" x 1-1/4"
FS-1100-8	8"	116#	10	1000#	3/8" x 1-1/4"
FS-1100-10	10"	145#	10	1000#	3/8" x 1-1/4"
FS-1100-12	12"	160#	10	1000#	3/8" X 1-1/4"



FS-1300 Series UNIVERSAL CLAMPS (E.M.T. OR RIGID)

Part No.	Nominal Size	#/Cpc	Gauge	Allowable Load	Slotted Indented Hex Cap Screw
FS-1300-3/8	3/8"	9#	16	400#	5/16" x 1-1/4"
FS-1300-1/2	1/2"	11#	16	400#	5/16" x 1-1/4"
FS-1300-3/4	3/4"	12#	16	400#	5/16" x 1-1/4"
FS-1300-1	1"	15#	14	600#	5/16" x 1-1/4"
FS-1300-1-1/4	1-1/4"	18#	14	600#	5/16" x 1-1/4"
FS-1300-1-1/2	1-1/2"	28#	12	800#	5/16" x 1-1/4"
FS-1300-2	2"	32#	12	800#	5/16" x 1-1/4"

FOR ASSEMBLED, USE "A" SUFFIX
Example: FS-1300A-2