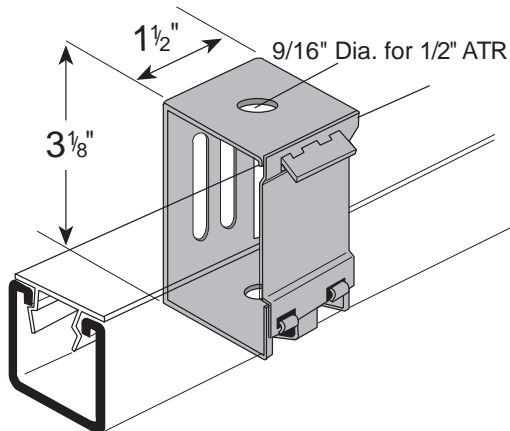


HANGERS & ELECTRICAL ACCESSORIES

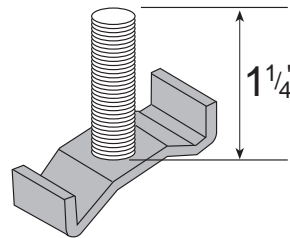
25#/Cpc

Design Load = 250#



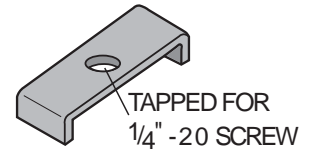
FS-6420
CHANNEL HANGER

4#/Cpc



FS-6460
FIXTURE STUD NUT

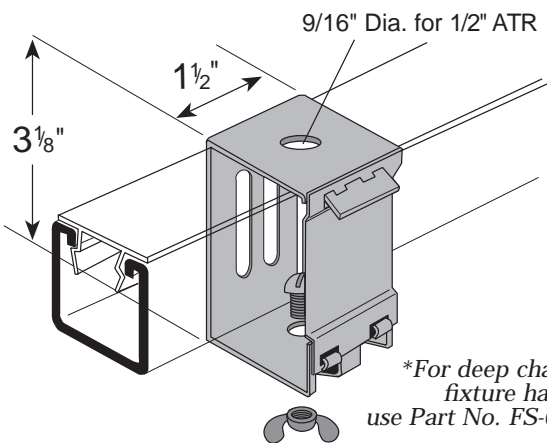
2#/Cpc



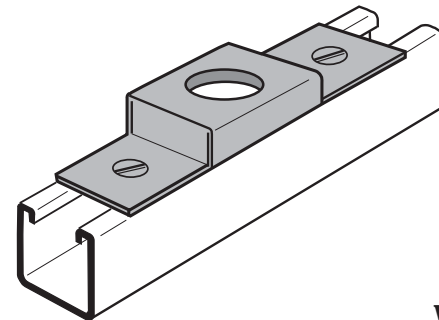
FS-6461
FIXTURE NUT

27#/Cpc

Design Load = 150#



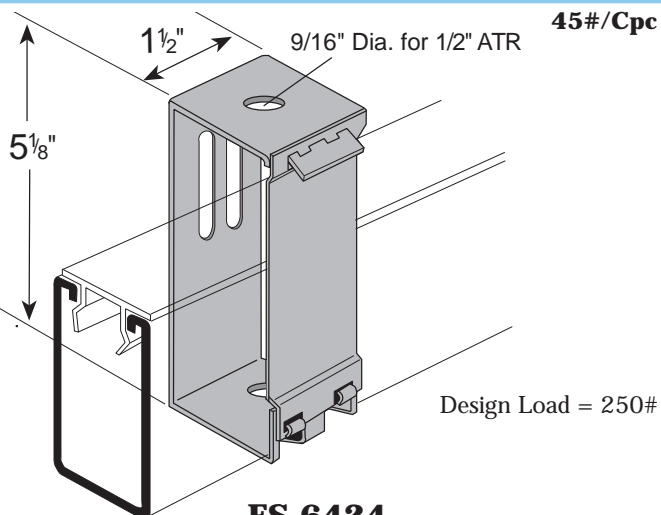
FS-6422
FIXTURE HANGERS



Cat. No.	Use With	Hole	Weight Lbs./C
FS-6442	1/2" Conduit	7/8"	28
FS-6443	3/4" Conduit	1-3/32"	28

Assembly includes Strut Nuts and Flat Head Machine Screws

FS-6442
CONDUIT CONNECTOR

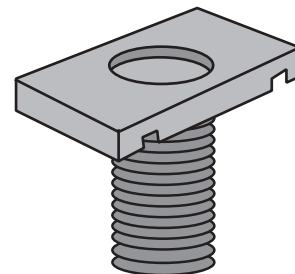


FS-6424
DEEP CHANNEL HANGER

45#/Cpc

Design Load = 250#

8#/Cpc



FS-6462
WIRING STUD NUT