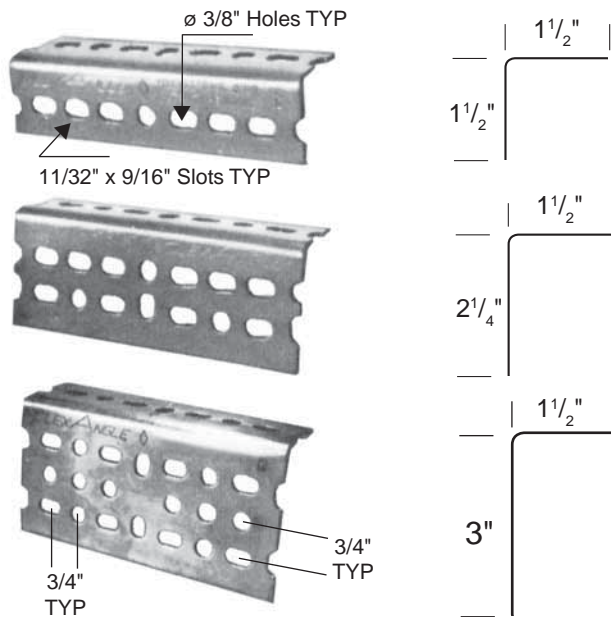


# FLEXANGLE® KLO-SHURE®



| Part No.  | Ga. | Length | #/Cft. |
|-----------|-----|--------|--------|
| FA-110 PG | 14  | 10 Ft. | 78     |
| FA-112 PG | 14  | 12 Ft. |        |

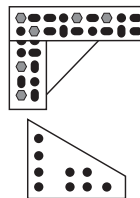
| Part No.  | Ga. | Length | #/Cft. |
|-----------|-----|--------|--------|
| FA-210 PG | 14  | 10 Ft. | 95     |
| FA-212 PG | 14  | 12 Ft. |        |

| Part No.  | Ga. | Length | #/Cft. |
|-----------|-----|--------|--------|
| FA-310 PG | 12  | 10 Ft. | 135    |
| FA-312 PG | 12  | 12 Ft. |        |

Packages contain 10 lengths of angle and 75 nuts and bolts.  
 (Bulk bundles available upon request.)  
 Standard Finish = Pre-Galvanized  
 (Plain finish available upon request)

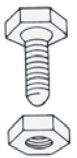
## FLEXANGLE GUSSET PLATES

Heavy, flat plates used for extra bracing, extra rigidity in severe service. Can be added to existing structures without disassembling corner joints. Shipping weight 5 lbs. per package of ten.



## EXTRA NUTS AND BOLTS

Heat-treated, zinc-coated, 5/16" x 3/4" bolt with load bearing shoulder and washer face for rapid assembly. Safe load 2000 lbs. per bolt. Nut is serrated for permanent, shake-proof locking. Sets of 75 per box. Weight 3-1/2 lbs.



The Klo-Shure® Insulation Coupling reduces the time required to insulate copper tubing used for refrigerant lines, hot and cold water plumbing, and chilled water systems.

They are easy to install. The Klo-Shure® Insulation Coupling can be slit open to facilitate installation, and later secured with the provided metal clip. They also can be used unopened by sliding the coupling over tubing as it is installed.

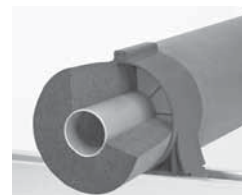
No special tools, glue or tape required. Klo-Shure® Couplings are recommended for pipe fitters to support and level tubing during installation. This will allow insulation to be secured in seconds.



## Klo-Shure® Insulation Couplings



**7 series strut mount**  
 The Klo-Shure® 7 series coupling supports and secures tubing in strut mounted applications.



**8 series strut mount**  
 The new Klo-Shure® 8 series coupling installs in seconds without metal clamps.



**clevis system**  
 The Klo-Shure® clevis system locks the coupling into clevis hanger.



The patented coupling allows sections of closed-cell, elastomeric insulation to be secured at suspension points. This eliminates having to double wrap, glue, and tape insulation.

The Klo-Shure® coupling can also be used to simply join and secure two lengths of insulation.

