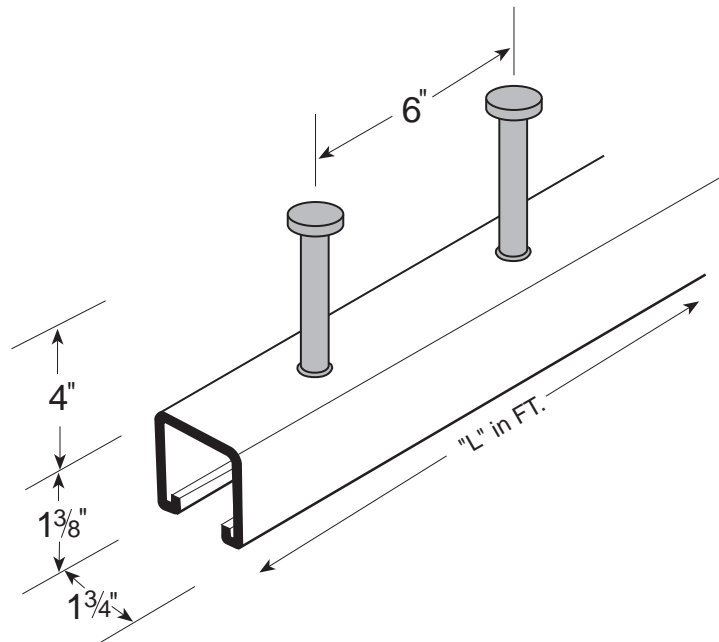


CONTINUOUS HEAVY DUTY CONCRETE INSERTS

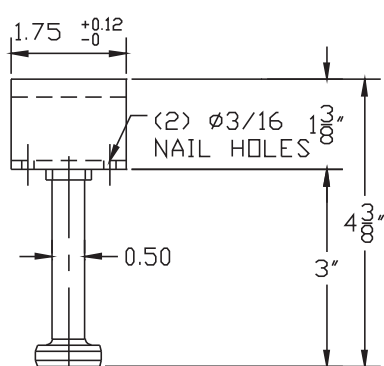
Finish: Hot Dip Galvanized
 Provided with Foam Filler or Plastic Closure
 Available in 1 foot increments

Design Load = 7,500 lb./Ft.
 Safety Factor = 2.5
 with full embedment multiple 1/2" connections

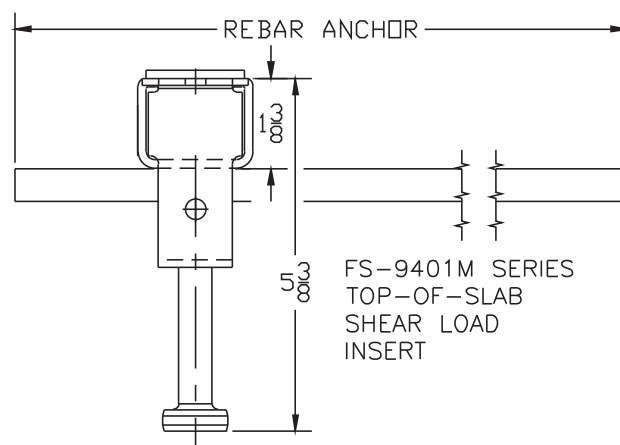
Part No.	"L"
FS-9401	1'
FS-9402	2'
FS-9403	3'
FS-9404	4'
FS-9405	5'
FS-9406	6'
FS-9407	7'
FS-9408	8'
FS-9409	9'
FS-9410	10'



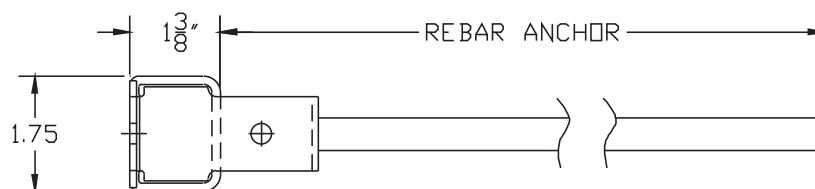
SPECIAL INSERTS AVAILABLE UPON REQUEST



FS-93-1.75 HEAVY DUTY SPOT INSERT



FS-9401M SERIES TOP-OF-SLAB SHEAR LOAD INSERT



FS-93D19 SERIES EDGE-OF-SLAB THIN SLAB INSERT