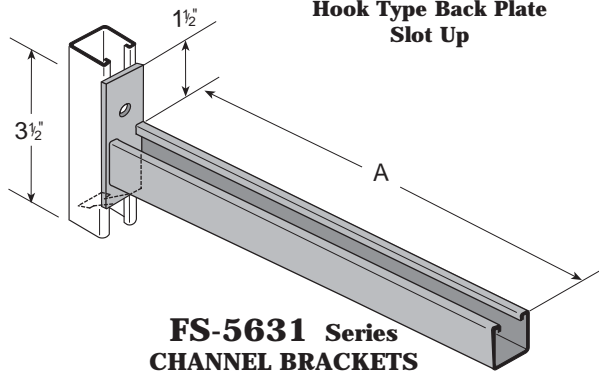
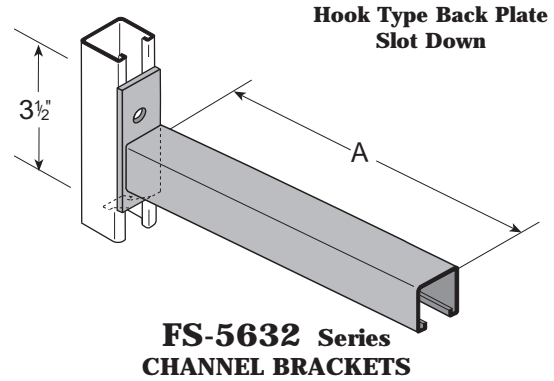


# CHANNEL BRACKETS



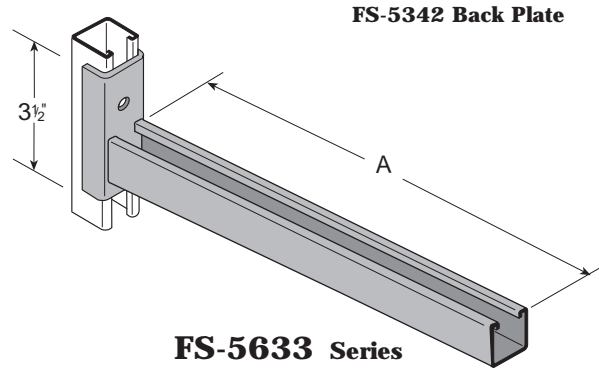
**FS-5631 Series**  
**CHANNEL BRACKETS**

Part No.	A	#/Cpc	Uniform Design Load
FS-5631-6	6"	160#	1,200#
FS-5631-12	12"	260#	600#
FS-5631-18	18"	350#	400#
FS-5631-24	24"	440#	300#



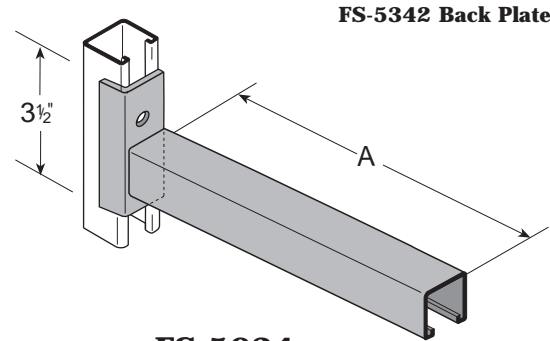
**FS-5632 Series**  
**CHANNEL BRACKETS**

Part No.	A	#/Cpc	Uniform Design Load
FS-5632-6	6"	160#	1,200#
FS-5632-12	12"	260#	600#
FS-5632-18	18"	350#	400#
FS-5632-24	24"	440#	300#



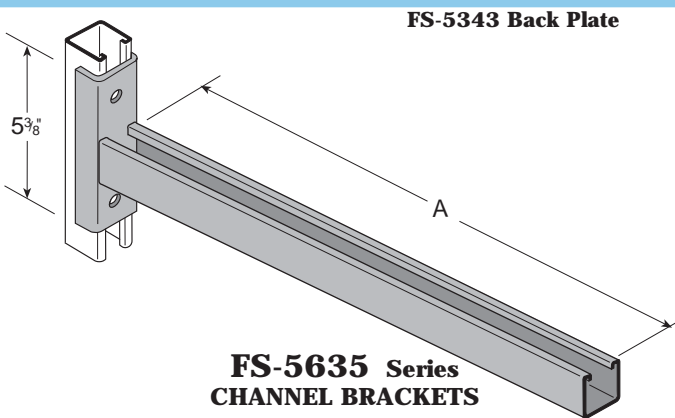
**FS-5633 Series**  
**CHANNEL BRACKETS**

Part No.	A	#/Cpc	Uniform Design Load
FS-5633-6	6"	190#	1,600#
FS-5633-12	12"	290#	800#



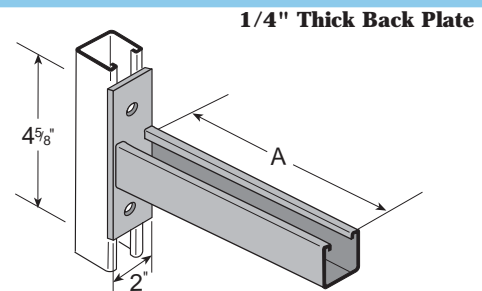
**FS-5634 Series**  
**CHANNEL BRACKETS**

Part No.	A	#/Cpc	Uniform Design Load
FS-5634-6	6"	190#	1,600#
FS-5634-12	12"	290#	800#



**FS-5635 Series**  
**CHANNEL BRACKETS**

Part No.	A	#/Cpc	Uniform Design Load
FS-5635-18	18"	435#	600#
FS-5635-24	24"	525#	400#



**FS-5636 Series**  
**CHANNEL BRACKETS**

Part No.	A	#/Cpc	Uniform Design Load
FS-5636-6	6"	150#	1,500#
FS-5636-12	12"	245#	750#
FS-5636-18	18"	340#	500#
FS-5636-24	24"	435#	250#

Safety Factor = 2-1/2" • Black Plate & Web Thickness = 1/4" • All Channel Shown = 12 Ga. FS-200  
• Attach with FS-1/2 Strut Nut and 1/2" HHCS •